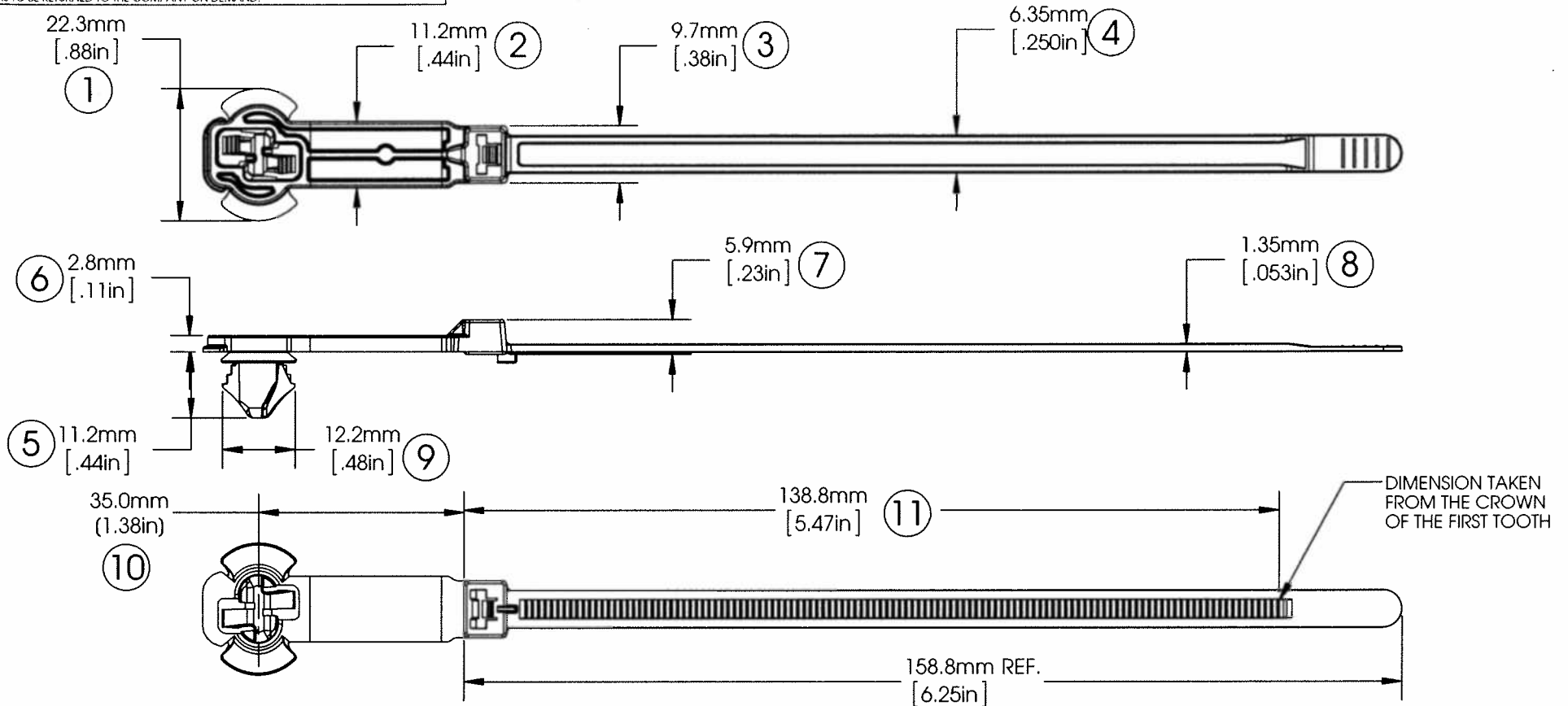


EVERY DENNISON MARKETING SPECIFICATION

HISTORY

ENG	REV.	DATE	DESCRIPTION
DMG	A	09-30-14	RELEASED

THE SUBJECT MATTER DISCLOSED HEREIN EMBODIES PROPRIETARY INFORMATION WHICH IS THE CONFIDENTIAL PROPERTY OF THE EVERY DENNISON CO. NONE OF WHICH SHALL BE COPIED, REPRODUCED, DISCLOSED TO OTHERS, PUBLISHED OR USED IN WHOLE OR IN PART, FOR ANY PURPOSE OTHER THAN THAT FOR WHICH IT IS BEING MADE AVAILABLE WITHOUT THE EXPRESS ADVANCE WRITTEN PERMISSION OF A DULY AUTHORIZED AGENT OF THE COMPANY. THIS DOCUMENT IS THE PROPERTY OF THE EVERY DENNISON CO. AND IS TO BE RETURNED TO THE COMPANY ON DEMAND.



MOUNTING:	7mm X12mm MIN. SLOTTED HOLE
PANEL THICKNESS RANGE:	0.6mm TO 3.0mm THK.
TENSILE STRENGTH:	50 LBF / 222.4N MIN.
OPERATING TEMP RANGE:	-40 °F (-40 °C) TO 239 °F (115 °C) CONTINUOUS AND 257 °F (125 °C) AT MAXIMUM EXPOSURE
WEIGHT:	2.82 GRAMS EACH
BUNDLE DIAMETER:	Ø .06" (1.6mm) TO Ø 1.50" (38.1mm)
INSTALLATION TOOL:	12001 - HAND TOOL 12500 - PNEUMATIC TOOL
TOOL TENSION SETTING:	6 - 8
PACKAGING:	1000/BAG, 5 BAGS/MASTER

APPROVALS:	ENG. APPR. <i>[Signature]</i> 9/30/14
	Q.A. APPR. <i>[Signature]</i> 9/30/14
SPECIFIED TOLERANCES	
INCHES	mm
.XX ± .03	.X ± .7
.XXX ± .010	.XX ± .25
ANGULAR: ± 2°	
MATERIAL	NYLON 6/6, IMPACT MODIFIED, HEAT STABILIZED
COLOR	BLACK



EVERY DENNISON

FASTENER DIVISION
FITCHBURG, MA 01420 U.S.A.
TEL. 1-800-225-5913
FAX. 978-353-8157

DESCRIPTION	OFFSET SLOT TIE, 35mm STD	
STOCK NO.	20148-0	REV. A